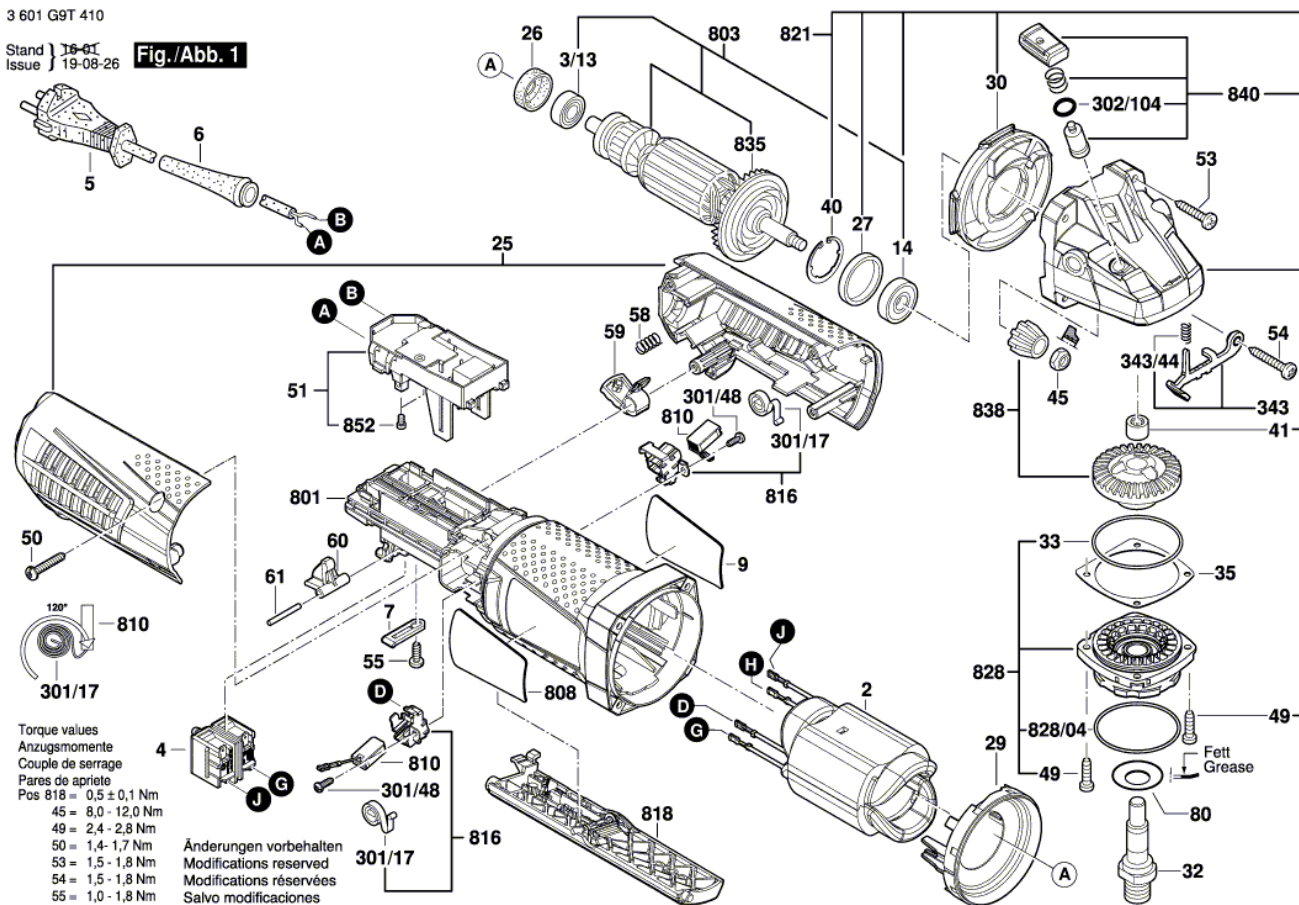




3 601 G9T 410

Stand | 18-01
Issue | 19-08-26

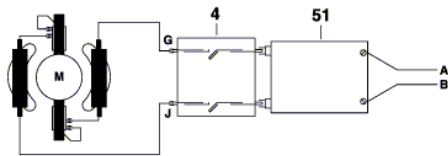
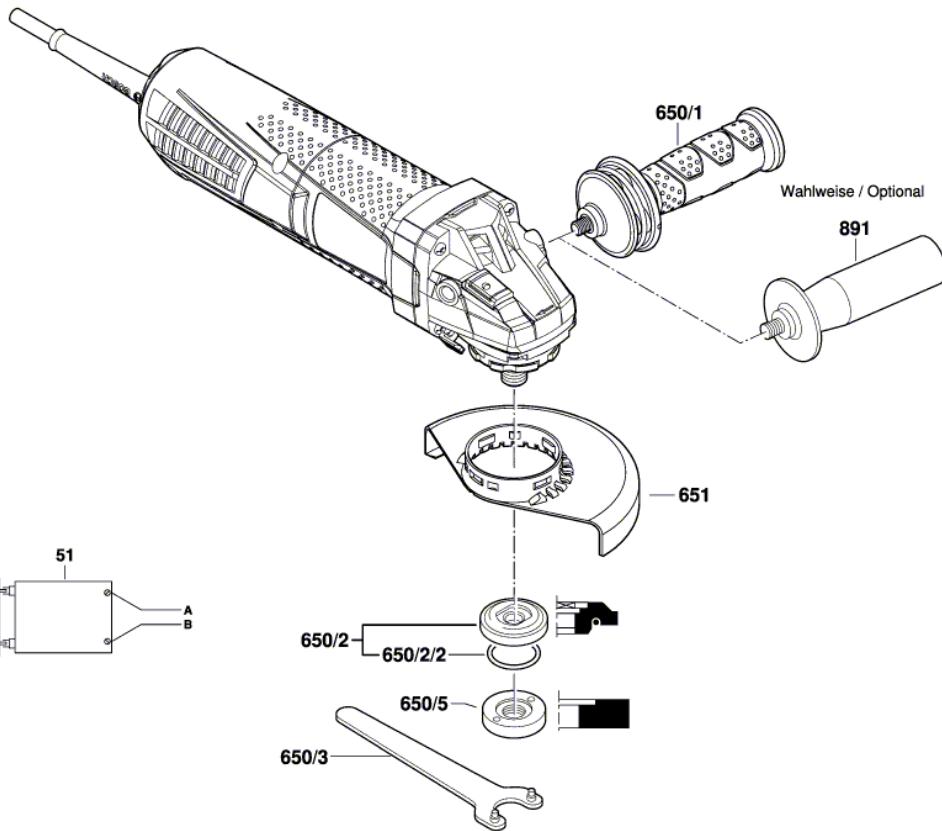
Fig./Abb. 1





3 601 G9T 410

Stand } 16-01-13 **Fig./Abb. 2**



Änderungen vorbehalten
Modifications reserved
Modifications réservées
Salvo modificaciones



Pos.	Part Number	Description	Pos.	Part Number	Description
2	1 604 220 479	Field			
3/13	2 600 905 032	Ball Bearing			
4	1 607 200 35A	Switch			
5	1 604 460 336	Power supply cord			
6	1 600 703 043	Grommet			
7	1 601 302 017	Fastening Clamp			
9	1 601 11C 0KB	Manufacturer's nameplate			
14	1 600 905 032	groove ball bearing			
25	1 605 108 29A	Housing Section			
26	1 600 502 023	Intermediate Ring			
27	1 600 206 025	Rubber Ring			
29	1 600 591 047	Air-Deflector Ring			
30	1 600 591 048	Air Distributor			
32	1 607 000 D68	Motor Housing			
33	1 600 210 035	O-Ring			
35	1 600 136 013	Shim			
35	1 600 136 014	Shim			
35	1 600 136 015	Shim			
35	1 600 136 020	Shim			
40	1 600 119 011	Retaining clip			
41	1 600 200 029	Plain bearing			
45	1 603 300 016	Hex Nut			
49	2 914 491 410	Thread-forming tap. Screw			
50	1 603 435 078	Torx Oval-Head Screw			
51	1 607 328 077	Switch Holder			
53	1 603 435 078	Torx Oval-Head Screw			
54	1 603 414 026	Torx Oval-Head Screw			
55	2 603 490 021	Torx Oval-Head Screw			
58	1 604 617 012	Compression Spring			
59	1 602 002 015	Locking Lever			
60	1 602 026 095	Reverse-Transfer Lever			
61	1 600 A00 X5A	Straight Pin			
80	3 600 150 021	Sealing disk			
301/17	1 604 652 021	Spiral Spring			
301/48	1 613 435 034	Lens Head Screw			
302/104	1 600 210 044	O-Ring			
343	1 607 000 742	Catch Lever			
343/44	1 604 611 042	Compression Spring			
650/1	1 602 025 052	Auxiliary Handle			
650/2	1 605 703 140	Clamping-Flange			
650/2/2	1 600 210 253	O-Ring			
650/3	1 607 950 052	Pin-Type Face-Wrench			
650/5	3 603 340 503	Round Nut			
651	1 600 A00 XL4	Protective Cover			
801	1 607 000 D99	Motor Housing			
803	1 607 000 V60	Armature			
808	1 601 11A 20U	Nameplate			
810	1 607 000 V37	Carbon-Brush Set			
816	1 607 000 V43	Brush Holder			
818	1 607 000 505	Switch-Pawl			
821	1 607 000 V39	Gear Housing			
828	1 607 000 D6C	Bearing Flange			
828/04	3 600 210 109	O-Ring			
835	1 606 610 132	Fan			
838	1 607 000 D4Y	Gear Unit			
840	1 607 000 V41	Push-Button			
852	1 607 000 V42	Pan head screw			
891	1 602 025 027	Auxiliary Handle			